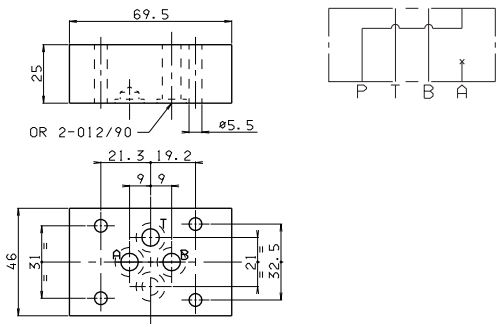


BC.3.08 INTERMEDIATE BASE PLATE FOR XQ.3... (P → A)

- BC** Module base
- 3** CETOP 3/NG6
- 08** Base plate for XQ3 (P→A)
- 00** No variant
- 1** Serial No.

Weight: 1,5 Kg

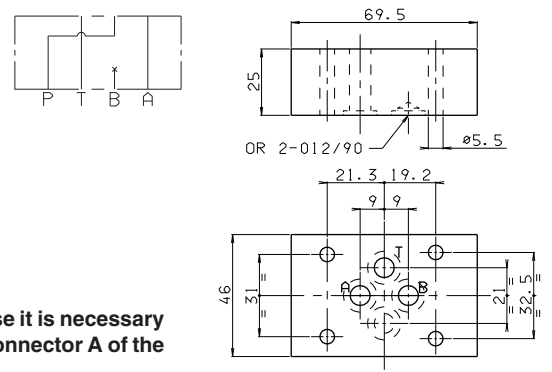


BC.3.09 INTERMEDIATE BASE PLATE FOR XQ.3... (B → P)

- BC** Module base
- 3** CETOP 3/NG6
- 09** Base plate for XQ3 (B→P)
- 00** No variant
- 1** Serial No.

Weight: 1,4 Kg

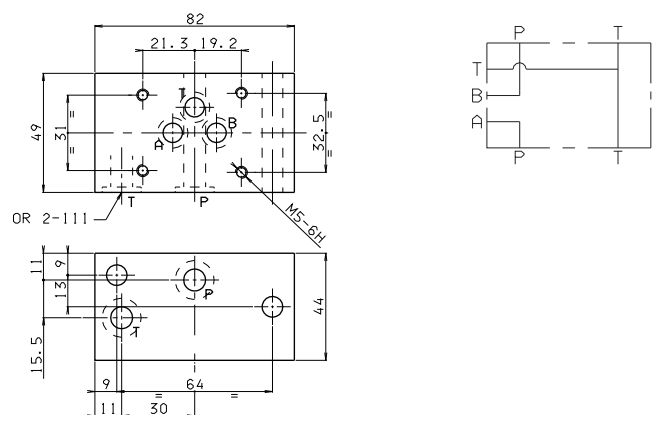
•To take advantage of this base it is necessary to operate with the pump at connector A of the multi station base plate



BC.06.XQ3 BASE PLATE FOR PROPORTIONAL VALVE TYPE XQ.3...

- BC** Module base
- 06** CETOP 3/NG6
- XQ3** base plate XQ3
- 00** No variant
- 1** Serial No.

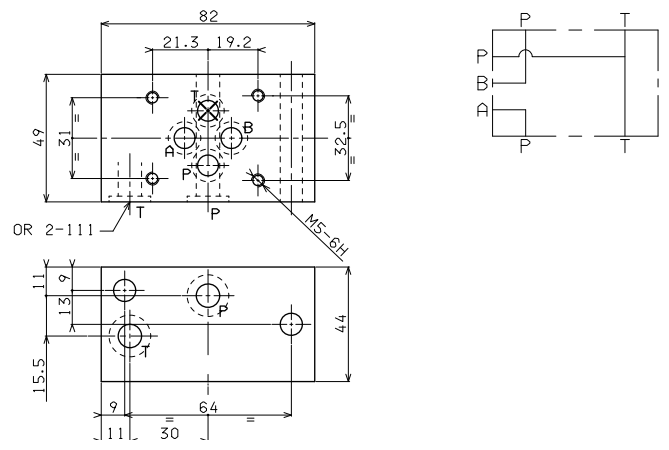
Weight: 1,4 Kg



BC.06.XQP3 BASE PLATE FOR PROPORTIONAL REGULATOR TYPE XQP.3...

- BC** Module base
- 06** CETOP 3/NG6
- XQP3** Base for XQP3 proportional regulator
- 00** No variant
- 1** Serial No.

Weight: 1,4 Kg



7