

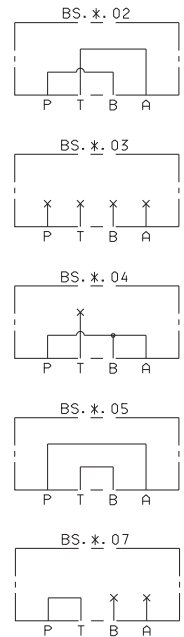
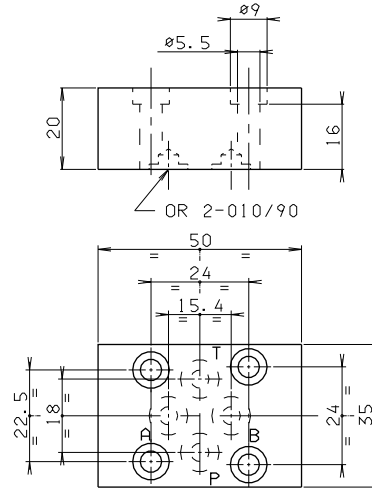
BS.2... SINGLE STATION SUBPLATE



BS.2.**...

- BS** Single subplate (blanking)
- 2** CETOP 2/NG4
- **** 02 / 03 / 04 / 05 / 07
- 00** No variant
- 1** Serial No.

Weight: 0,09 Kg
 Fixing screws
 M5x25 UNI 5931



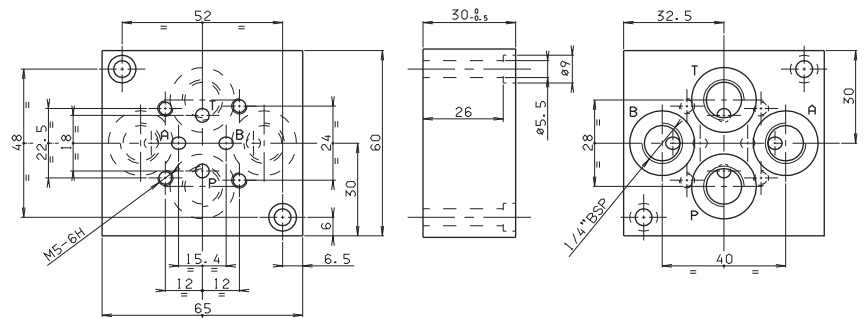
CETOP 2 SUBPLATES

BS.2.**... / BS.2.12...	
BS.2.14...	
CH. VII PAGE 2	
BS.2.16... / BS.2.20...	
BS.3.2...	CH. VII PAGE 3
BC.2.50.AB... / BC.2.50.PT...	
BC.2.51...	CH. VII PAGE 4
BM.2.**... / BM.2.60...	CH. VII PAGE 5
BM.2.50... / BM.2.70...	CH. VII PAGE 6
CMP.02... BFP CARTRIDGE CATALOGUE	

BS.2.12 (REAR CONNECTORS)

- BS** Single subplate
- 2** CETOP 2/NG4
- 12** 1/4" BSP rear connectors
- 00** No variant
- 1** Serial No.

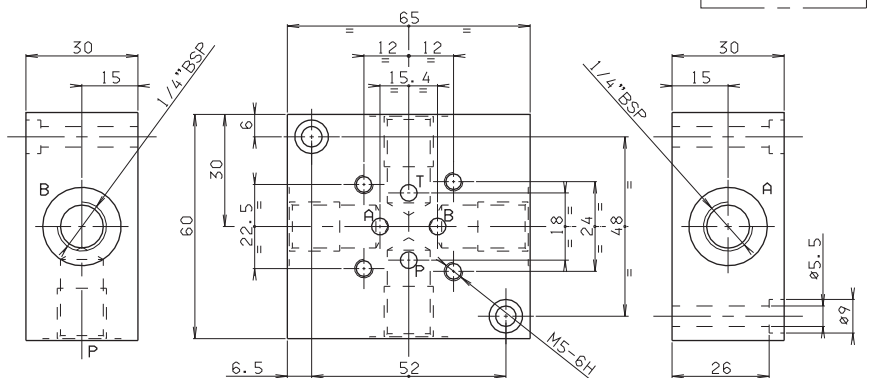
Weight: 0,3 Kg
 Fixing screws M5x35 UNI 5931



BS.2.14 (SIDE CONNECTORS)

- BS** Single subplate
- 2** CETOP 2/NG4
- 14** 1/4" BSP side connectors
- 00** No variant
- 1** Serial No.

Weight: 0,3 Kg
 Fixing screws M5x35 UNI 5931



7

