

**CETOP 3 SUBPLATES**

BS.3.01... / BS.3.0*...	CH. VII PAGE 7
BS.3.10/11... / BS.3.12/13...	
BS.3.14/15... / BS.3.16/17...	CH. VII PAGE 8
BS.3.20/21... / BS.VMP.10...	
BS.3.W...	
CH. VII PAGE 9	
BC.3.25/27... / BC.3.30/32...	
BC.3.40...	CH. VII PAGE 10
BC.3.41/*...	CH. VII PAGE 11
BC.3.50... / BC.3.51...	
BC.3.07... / BC.3.107...	CH. VII PAGE 12
BC.3.08... / BC.3.09...	
BC.06.XQ3... / BC.06.XQP3...	CH. VII PAGE 13
BC.06.25/27...	CAP. VII PAGE 14
BC.06.30/32... / BC.06.40...	
BC.06.41/*...	CH. VII PAGE 15
BM.3.**... / BM.3.60...	CH. VII PAGE 16
BM.3.50... / BM.3.70...	CH. VII PAGE 17
BM.3.52... / BM.3.72...	CH. VII PAGE 18
CMP.10... BFP CARTRIDGE CATALOGUE	
XQ.3...	CH. VIII PAGE 12
XQP.3...	CH. VIII PAGE 14

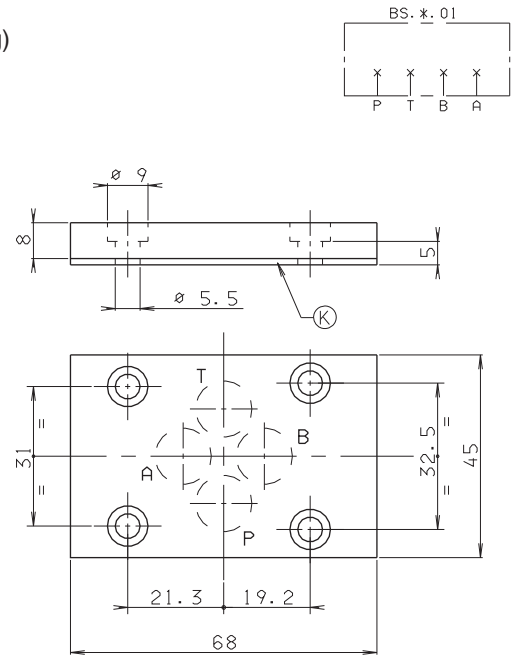
**BS.3... SINGLE STATION SUBPLATE**



**BS.3.01...**

- BS** Single subplate (blanking)
- 3** CETOP 3/NG6
- 01** P / T / A / B closed
- 00** No variant
- 1** Serial No.

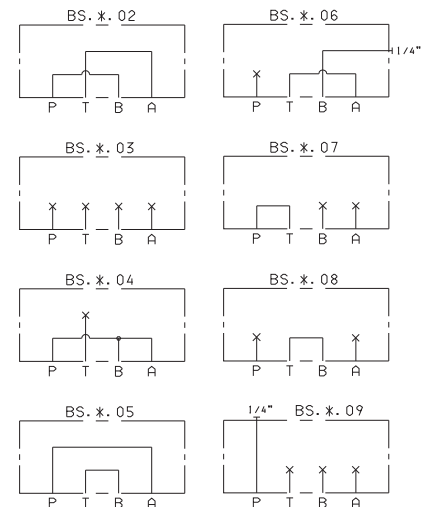
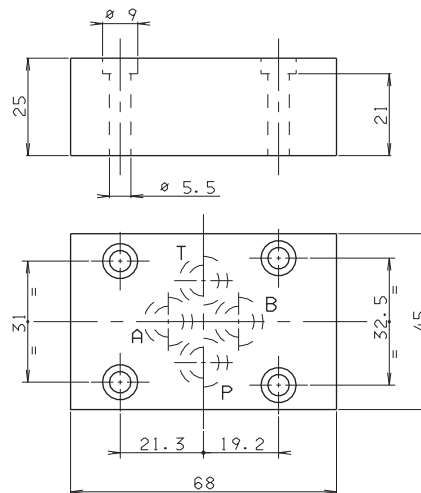
Weight: 0,2 Kg  
 Fixing screws M5x14 UNI 5931  
**K** = plate OR (Q25.95.0001)



**BS.3.\*\*...**

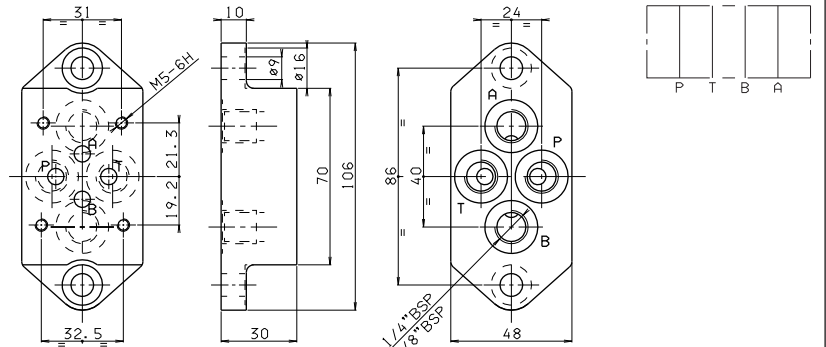
- BS** Single subplate (blanking)
- 3** CETOP 3/NG6
- \*\*** 02/03/04/05/06/07/08/09
- 00** No variant
- 1** Serial No.

Weight: 0,5 Kg  
 Fixing screws M5x30 UNI 5931



**BS.3.10/11... (REAR CONNECTORS)**

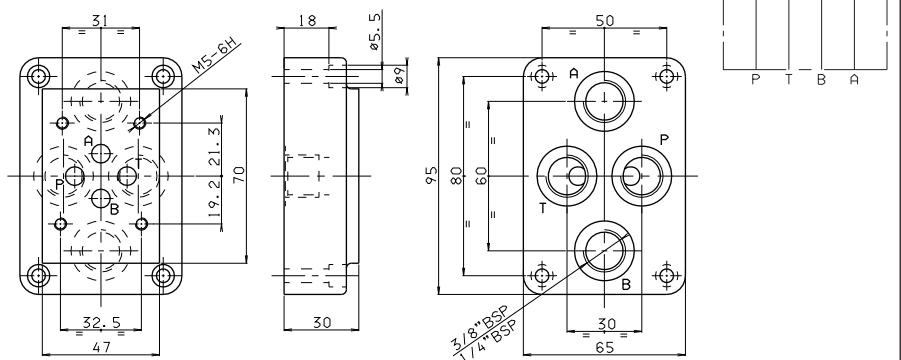
- BS** Single subplate
- 3** CETOP 3/NG6
- \*\*** **10** = 1/8" BSP rear connectors  
**11** = 1/4" BSP rear connectors
- 00** No variant
- 1** Serial No.



Weight: 0,7 Kg - Fixing screws M8x20 UNI 5931

**BS.3.12/13 (REAR CONNECTORS)**

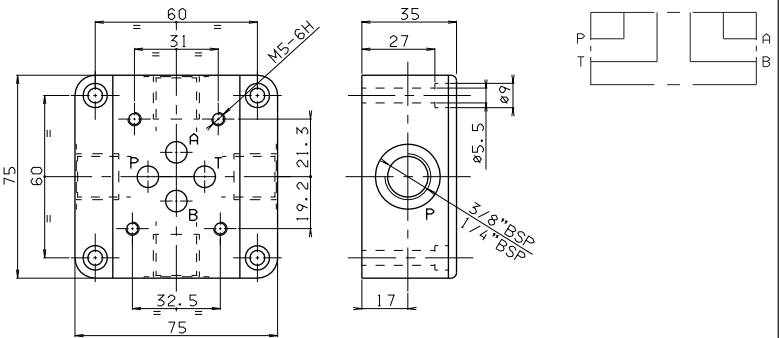
- BS** Single subplate
- 3** CETOP 3/NG6
- \*\*** **12** = 3/8" BSP rear connectors  
**13** = 1/4" BSP rear connectors
- 00** No variant
- 1** Serial No.



Weight: 1 Kg - Fixing screws M5x25 UNI 5931

**BS.3.14/15 (SIDE CONNECTORS)**

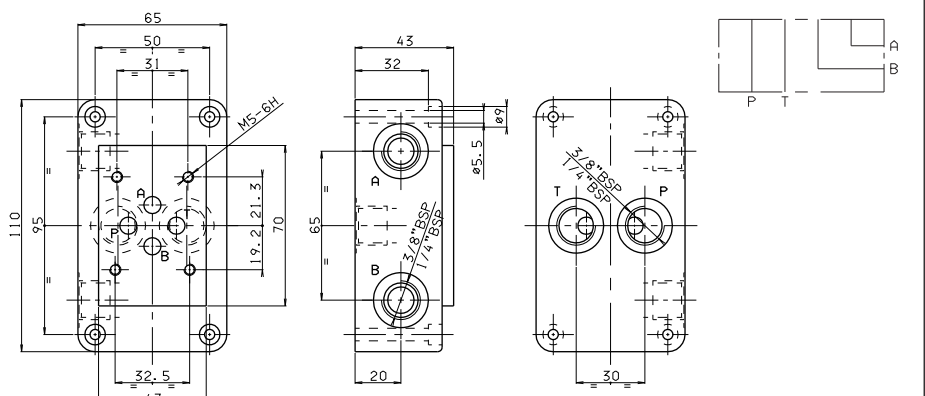
- BS** Single subplate
- 3** CETOP 3/NG6
- \*\*** **14** = 3/8" BSP side connectors  
**15** = 1/4" BSP side connectors
- 00** No variant
- 1** Serial No.



Weight: 1,2 Kg - Fixing screws M5x35 UNI 5931

**BS.3.16/17 (CONNECTORS SIDE A AND B, REAR P AND T)**

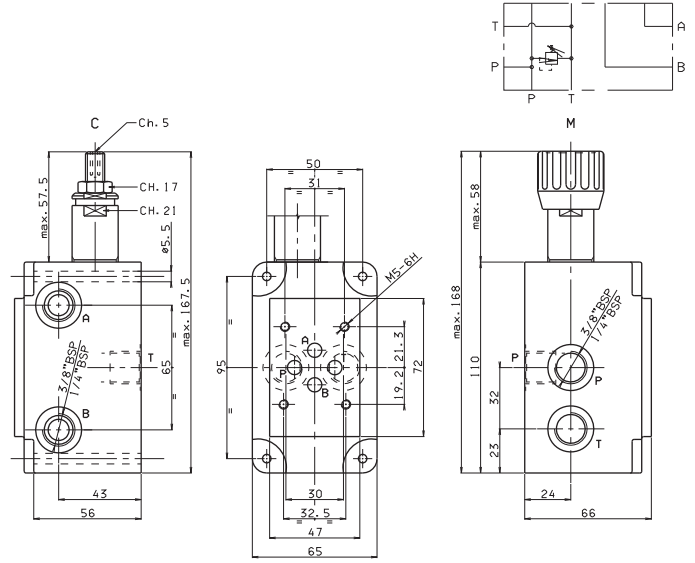
- BS** Single subplate
- 3** CETOP 3/NG6
- \*\*** **16** = 3/8" BSP rear and side connectors  
**17** = 1/4" BSP rear and side connectors
- 00** No variant
- 1** Serial No.



Weight: 1,8 Kg - Fixing screws M5x40 UNI 5931

**BS.3.20/21 (CONNECTORS SIDE A AND B, REAR P AND T)**

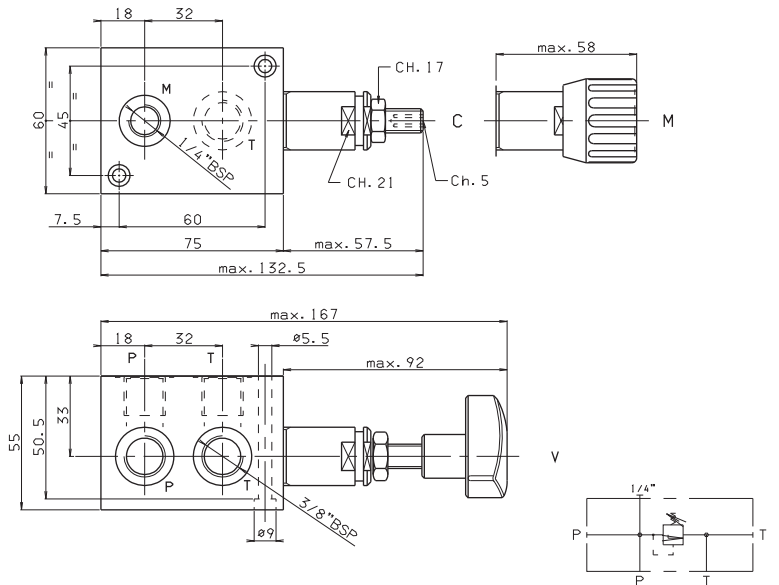
- BS** Single subplate
- 3** CETOP 3/NG6
- \*\*** 20 = 3/8" BSP rear and side connectors  
21 = 1/4" BSP rear and side connectors
- \*** **M** = Plastic knob  
**C** = Grub screws
- \*** Setting range  
1 = max. 50 bar (**white spring**)  
2 = max. 150 bar (**yellow spring**)  
3 = max. 320 bar (**green spring**)
- 00** No variant
- 1** Serial No.



Weight: 2,9 Kg - Fixing screws M5x65 UNI 5931

**BS.VMP.10 SINGLE STATION SUBPLATE WITH MAX. PRESSURE VALVE FOR SURFACE MOUNTING (E.G. ON TAKE COVER)**

- BS** Single subplate
- VMP** Max. pressure valve
- 10** 3/8" BSP connectors
- \*** **M** = Plastic knob  
**C** = Grub screw  
**V** = Handwheel
- \*** Setting range  
1 = max. 50 bar (**white spring**)  
2 = max. 150 bar (**yellow spring**)  
3 = max. 320 bar (**green spring**)
- 00** No variant
- 1** Serial No.

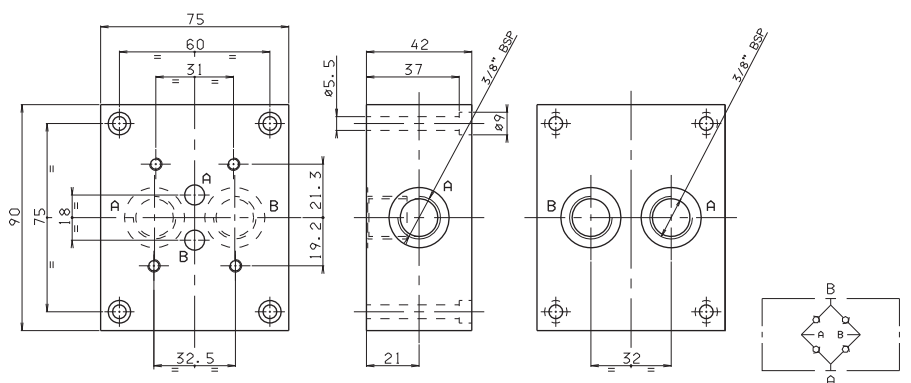


Weight: 1,6 Kg  
Fixing screws M5x60 UNI 5931

• The minimum permissible setting pressure depending on the spring: see cartridge valve type CMP.10...

**BS.3.W...**

- BS** Single subplate
- 3** CETOP 3/NG6
- W** Wheatstone bridge
- 00** No variant
- 1** Serial No.



Weight: 1,8 Kg  
Fixing screws M5x45 UNI 5931

7