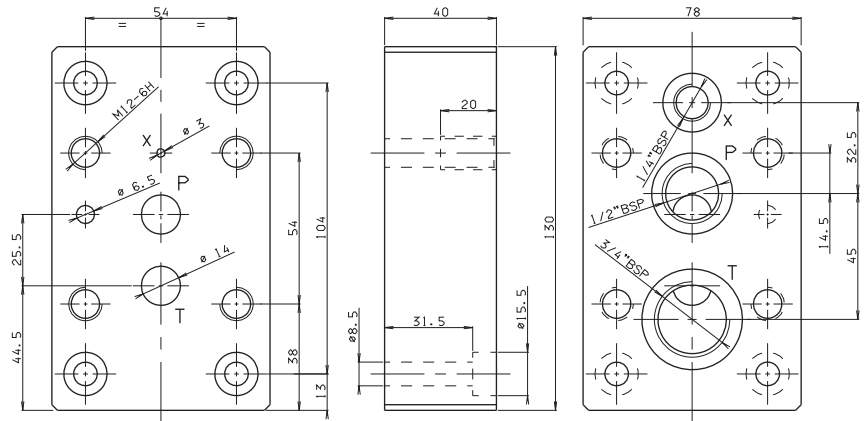


BS.VMP.16... CONNECTORS: P = 1/2" BSP - T = 3/4" BSP - X = 1/4" BSP

2

- BS** Single plate
- VMP** Maximum pressure
- 16** Size NG16
- 00** No variant
- 1** Serial No.

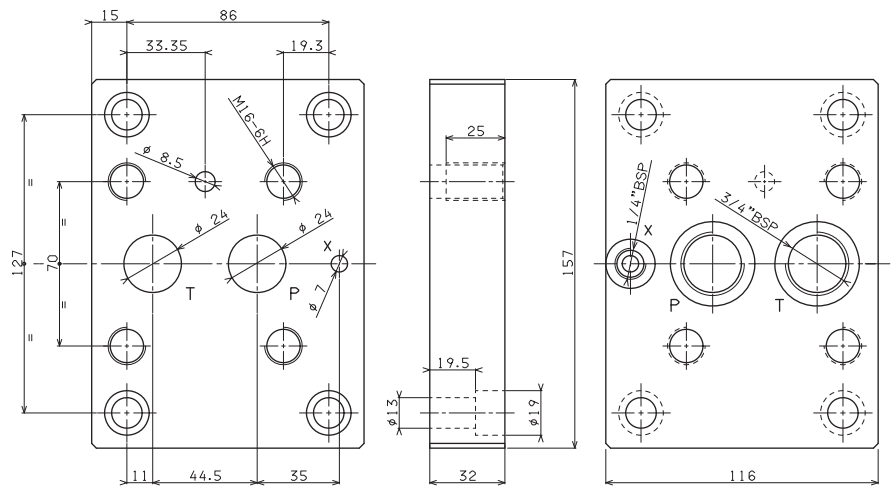
Weight: 2,2 Kg
 Fixing screws M8x45 UNI 5931



BS.VMP.25... CONNECTORS: P AND T = 3/4" BSP - X = 1/4" BSP

- BS** Single plate
- VMP** maximum pressure
- 25** Size NG25
- 00** No variant
- 1** Serial No.

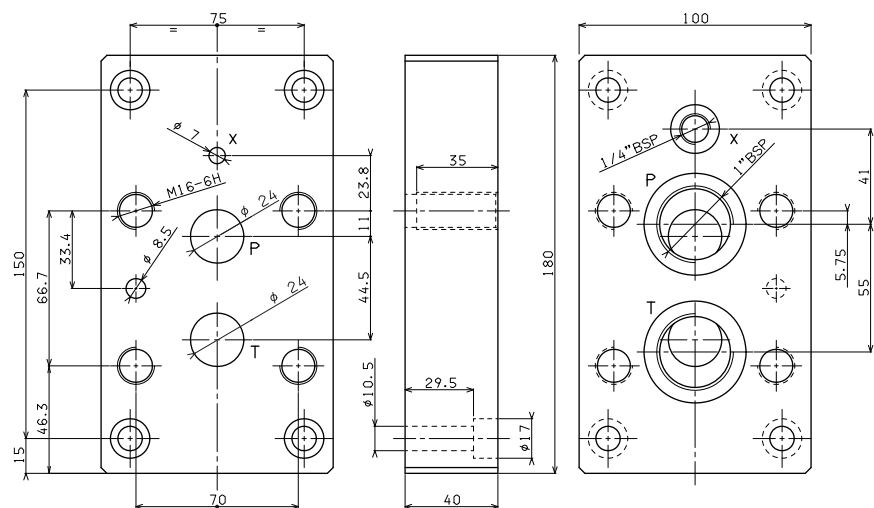
Weight: 3,6 Kg
 Fixing screws M12x35 UNI 5931



BS.VMP.25/1... CONNECTORS: P AND T = 1" BSP - X = 1/4" BSP

- BS** Single plate
- VMP** maximum pressure
- 25/1** Size NG25
- 00** No variant
- 1** Serial No.

Weight: 4,2 Kg
 Fixing screws M10x45 UNI 5931



2