



## QC.3.3... 3 WAY COMPENSATED FLOW RATE REGULATORS



This regulator type can be used whenever it is necessary to obtain a constant fluid flow irrespective of the pressure variations present upstream or downstream. It is fitted with a third T line for discharging any excessive flow rate.

When the reverse flow check valve is needed, the check valve holder type "AM.3.ABU.3..." can be fitted underneath the valve. (The check valve holder must be ordered separately see page III\*4)

Max. operating pressure	320 bar
Opening pressure (with bypass)	1 bar
Min. regulated flow rate (Q1 version)	0.03 ÷ 0.05 l/min
Nominal regulated flow rate	1 ÷ 22 l/min
Difference in pressure ( $\Delta p$ ) for vers. Q1	3 bar
Difference in pressure ( $\Delta p$ ) Q2-Q3-Q4-Q5-Q6	8 bar
Hydraulic fluids	Mineral oils DIN 51524
Fluid viscosity	10 ÷ 500 mm <sup>2</sup> /s
Fluid temperature	-25°C ÷ 75°C
Ambient temperature	-25°C ÷ 60°C
Max. contamination level(*)	class 10 in accordance with NAS 1638 with filter $\beta_{25} \geq 75$
Dependency on temperature (Q1 vers.)	5%
Dependency on temperature (Q2 vers.)	3%
Dependency on temperature (Q3-Q4-Q5)	2%
Weight	1,5 Kg
(*) Max contamination level must be respect to obtain the right function of the valve	

### QC.3.3...

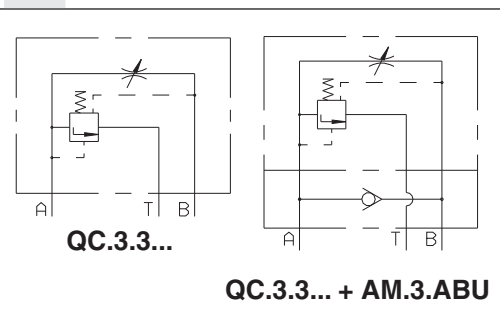
OVERALL DIMENSIONS CH. III PAGE 4

AM.3.ABU... CH. III PAGE 4

### ORDERING CODE

<b>QC</b>	Compensated flow rate regulator
<b>3</b>	CETOP 3/NG6
<b>3</b>	3 way
<b>**</b>	Flow rate ranges <b>Q1</b> = 1 l/min <b>Q2</b> = 3 l/min <b>Q3</b> = 9 l/min <b>Q4</b> = 17 l/min <b>Q5</b> = 24 l/min
<b>K</b>	Version with lock (omit if not required)
<b>*</b>	<b>1</b> = 1 turn version <b>4</b> = 4 turns version
<b>**</b>	<b>00</b> = No variant <b>V1</b> = Viton
<b>3</b>	Serial No.

### HYDRAULIC SYMBOLS



### DIAGRAMS

