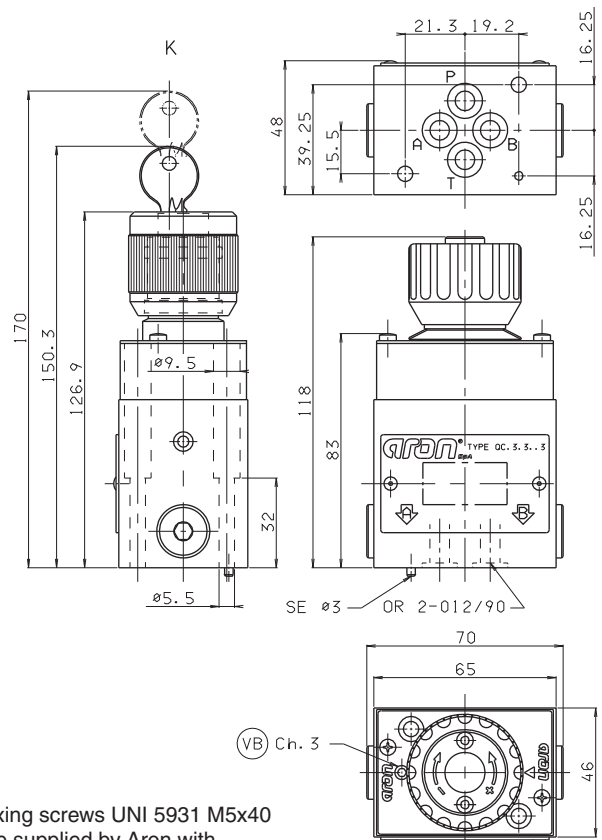
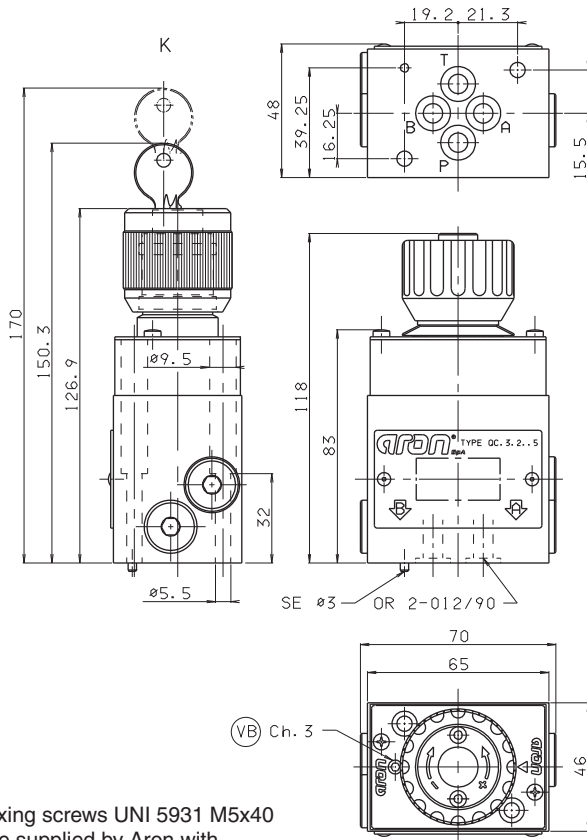


**QC.3.2... 2 WAY FLOW RATE REGULATOR**

**QC.3.3... 3 WAY FLOW RATE REGULATOR**



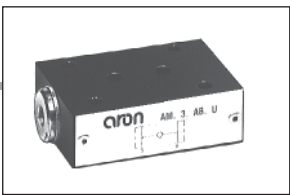
Fixing screws UNI 5931 M5x40 are supplied by Aron with material specifications min. 12.9  
Tightening torque 6.5±7 Nm / 0.65±0.70 Kgm

Fixing screws UNI 5931 M5x40 are supplied by Aron with material specifications min. 12.9  
Tightening torque 6.5±7 Nm / 0.65±0.70 Kgm

File: ETQC3\$00\$

00/2000/e

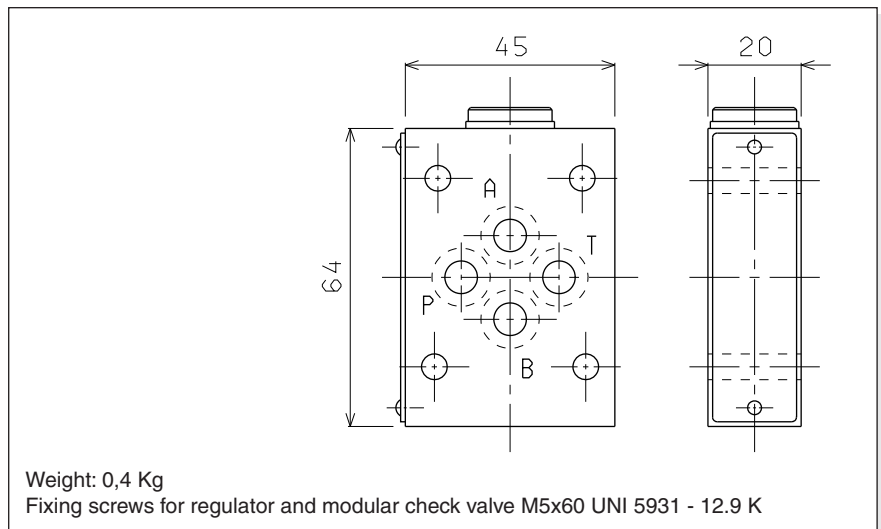
**AM.3.ABU... CHECK VALVE HOLDER FOR REGULATORS TYPE QC.3...**



This check valve holder must be fitted underneath the QC valve when the reverse flow function is needed.

**ORDERING CODE**

- AM** Modulating valve
- 3** CETOP 3/NG06
- ABU** External check valve for QC.3.\*.
- 3** For 2 way and 3 way
- 00** No variant
- 1** Serial No.



Weight: 0,4 Kg  
Fixing screws for regulator and modular check valve M5x60 UNI 5931 - 12.9 K